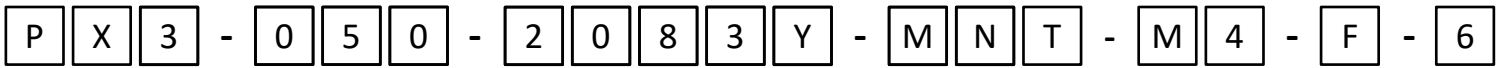




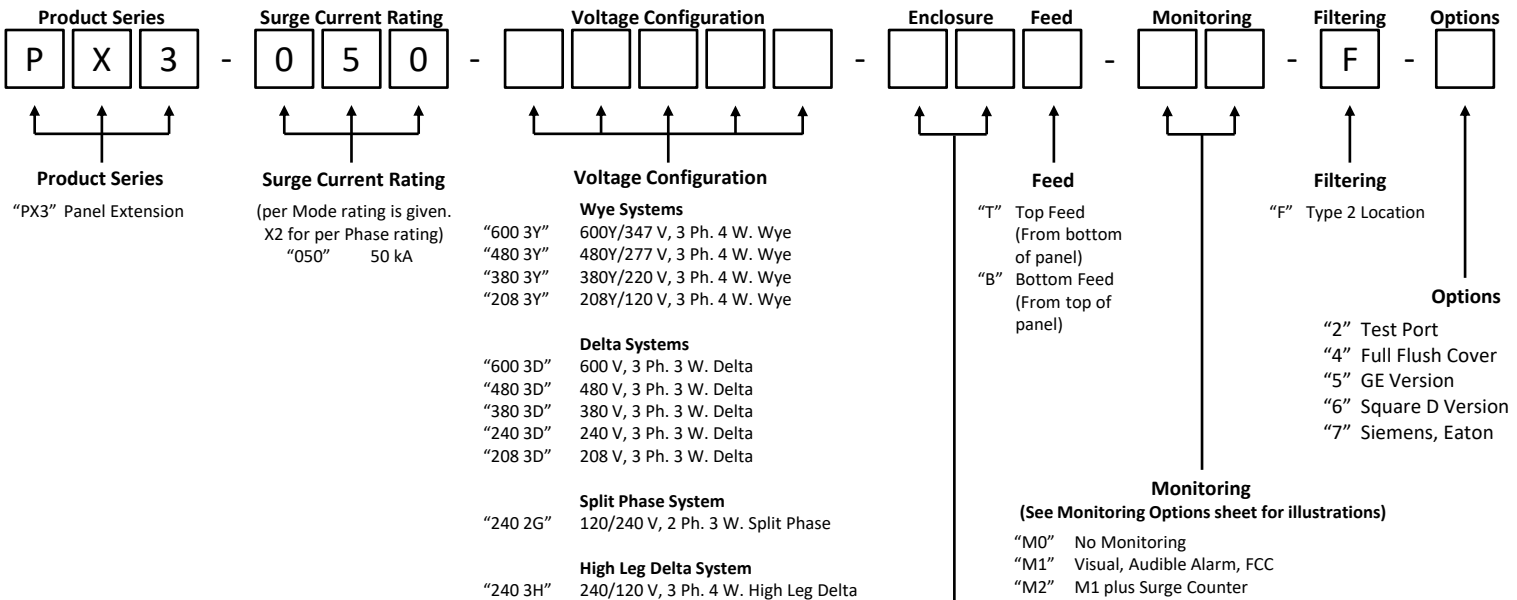
## Panel Extension SPD with Thermally Protected MOVs for Panelboards

### Product Number Configuration Guide

Product Number Example:



Application Specific Model Number:



<b>Dimensions</b>	
<b>Without Disconnect</b>	
PX3-050:	9"h x 20"w x 5.75"d 18 lbs.
<b>With Disconnect</b>	
PX3-050:	14"h x 20"w x 5.75"d 20 lbs.
(Standard Enclosures: NEMA 1)	
(Stainless Steel Enclosures: NEMA 4X)	

- Enclosure**
- "MF" Metal, Flush Mount
  - "MS" Metal, Surface Mount
  - "SF" Stainless, Flush Mount
  - "SS" Stainless, Surface Mount

- Monitoring**  
(See Monitoring Options sheet for illustrations)
- "M0" No Monitoring
  - "M1" Visual, Audible Alarm, FCC
  - "M2" M1 plus Surge Counter
  - "M3" Advanced Monitoring, Graphics Display, ModBus RTU
  - "M4" M3 plus Ethernet & Modbus TCP
  - "M5" M3 plus Larger, Enhanced Display
  - "M6" M5 plus Ethernet & Modbus TCP